



b.dry maintenance-free Stainless Steel Chains

More than just stainless steel: extremely wear-resistant, corrosion-free and absolutely dry

Anywhere that relubrication is either undesirable or impossible, **b.dry chains** come into their own: **Hygienic** and **without using any lubricants**, they stand up to any comparison in terms of performance. Their **wear life is significantly longer** than comparable chains: in dry condition twice better, with an initial lubrication, even four times better.

b.dry chains are made from **corrossion-free, maintenance-free CF stainless steel with an optimized articulated link** that represents a **masterpiece of high precision**. The secret of the b.dry range is to consign the old notions of „steel on steel“ to the past! The fact that no lubricants are needed is thanks to our b.dry bushes, which are made from a special, high-performance polymer. The capabilities of this material are absolutely unparalleled. b.dry products run **completely dry**, but are still more **resistant to wear and corrosion, stronger** and have a **longer service life** than comparable chains.

b.dry

1 High-performance polymer bush from FDA-compliant material

2 Thin-walled, seamless, ball-drifted stainless steel bush

3 Base chain: JWIS CF stainless steel chain



Technical highlights

- Properties of individual parts that are perfectly harmonized with each other reduce chain wear and dramatically increase service life. b.dry chains are extremely reliable, withstand high dynamic loads and are corrosion-resistant.
- b.dry chains are completely dry-running. No lubrication is necessary, thanks to a high-performance plastic friction bearing in the articulated link.
- High-performance polymer bushes are FDA-compliant, heavy-duty and low-friction. Contact with foodstuffs or hygiene products is safe.
- Stainless steel bushes: thin-walled, seamless and ball-drifted. This gives b.dry chains greater strength and considerably increases their resistance to wear.
- CF base chain is made from austenitic stainless steel.
- Extremely high resistance to aggressive media. Information on chemical resistance of the b.dry chains and bush available on request.
- Length tolerances compliant with ISO 606.
- Temperature range: -100 °C through + 200 °C.
- No relubrication required.
- Also available as roller chains with attachments or extended pins and as custom-developed chains. ANSI chains also on request.

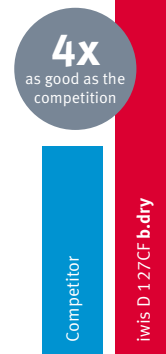
Applications

- In aggressive environments
- In environments in which water or steam are applied and with strict cleaning regulations for e.g.:
- Pharmaceutical industry
- Automobile industry paint lines
- Food processing industry
- Clean room applications

In a dry state **PWIS-free**



Wear life
Chain **dry**



Wear life
Chain with
initial lubrication

More information on the back side.



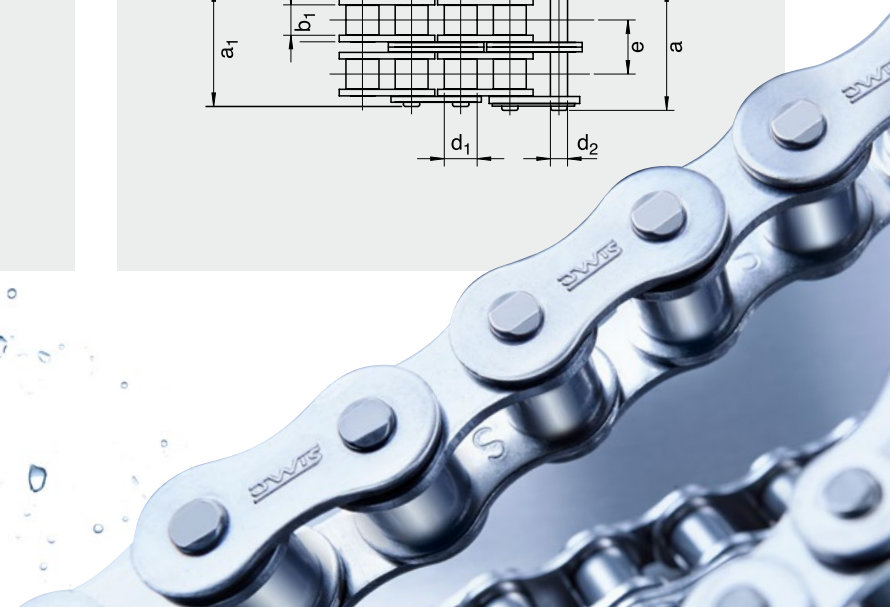
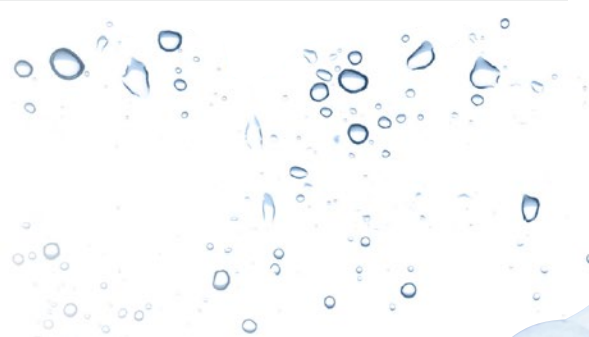
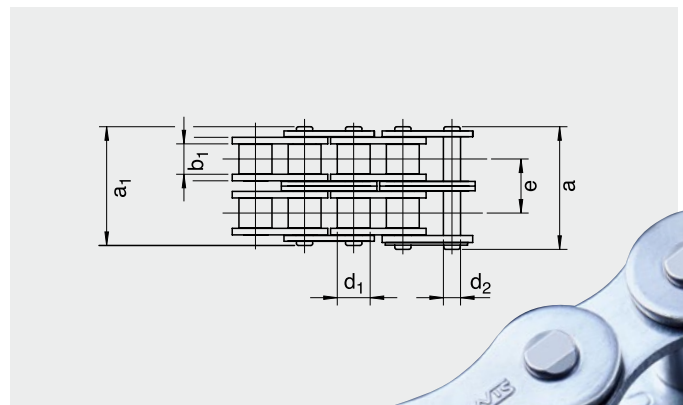
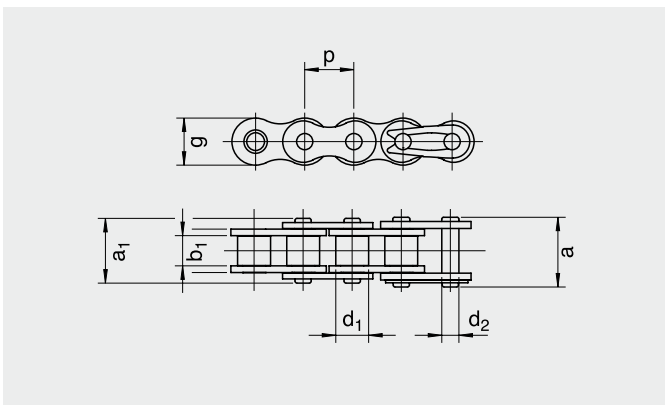


NEW
by iwis

Product range **b.dry**

Chain no.	DIN ISO	Pitch	Inner width	Roller Ø	Pin Ø	Pin length	Length grooved pin**	Plate height	Traverse pitch	Min. tensile strength	Article no. Chain with no initial lubrication
		p mm	b1 min. mm	d1 max. mm	d2 max. mm	a1 max mm	a max. mm	g mm	e mm	F_b N	
L 85 CF b.dry	08 B-1	12,70	7,75	8,51	4,45	17,0	20,7	11,8	–	12.500	40009443
D 85 CF b.dry	08 B-2	12,70	7,75	8,51	4,45	31,0	34,9	11,8	13,92	22.000	40009454
M 106 CF b.dry	10 B-1	15,875	9,65	10,16	5,08	19,6	23,7	14,7	–	16.000	40009451
D 106 CF b.dry	10 B-2	15,875	9,65	10,16	5,08	36,2	40,3	14,7	16,59	29.000	40009455
M 127 CF b.dry	12 B-1	19,05	11,68	12,07	5,72	22,7	27,3	16,1	–	20.000	40009452
D 127 CF b.dry	12 B-2	19,05	11,68	12,07	5,72	42,2	46,8	16,1	19,46	35.000	40009456
M 1611 CF b.dry	16 B-1	25,40	17,02	15,88	8,28	36,1	41,5	21,0	–	40.000	40009453
D 1611 CF b.dry	16 B-2	25,40	17,02	15,88	8,28	67,0	73,4	21,0	31,88	85.000	40009457

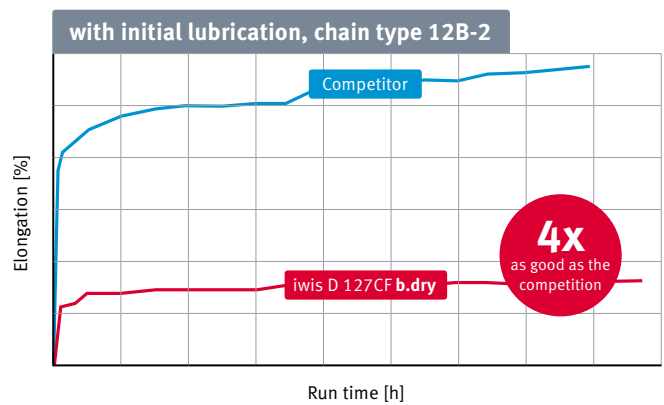
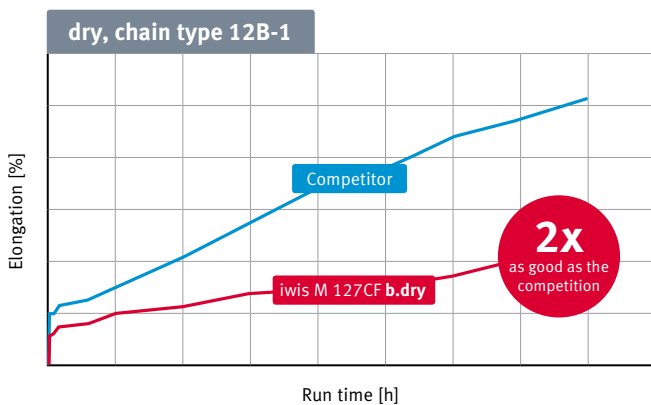
** a = Spring connecting link CF = corrosion-free Roller chains with standard attachments and custom designs can be implemented. ANSI chains on request.





Chain elongation performance of a b.dry roller chain with and without initial lubrication

The performance of the chain can be increased **fourfold** by using our lubricant, which has been approved for use with foodstuffs.



Figures not to scale.

Ball drifting

Pinching is unavoidable when assembling thin-walled steel carrier bushes. In order to nevertheless ensure consistent quality and performance of the b.dry chains, every bush is individually ball-drifted. Forming is done using a ball after the inner link has been assembled. This presses the bush into perfect shape. The articulated chain link thus becomes considerably more wear-resistant and the service life of the chain is increased. The technique also reduces length deviation and initial stretch.

